

Productlaunch AK Series 2017

AK 440 VE, AK 540 VE, AK 640 VE AK 640 L VE



- Three performance classes

AK 440 VE	250 kW
AK 540 VE	315 kW
AK 640 VE	450 kW
AK 640 L VE	450 kW
- Frequency controlled drives at main motor, feeding roller and scraper floor
- ISOBUS Control
- Control panel with swivel arm at the machine
- Good accessibility at all maintenance points
- Protective device according to current state of the art
- Charging length AK 640 L VE , l = 5700 mm

Doppstadt

WE CARE

AK VE fully electric



Doppstadt

WE CARE

AK 440 VE

AK 540 VE

AK 640 VE

AK 640 L VE



- Three performance classes

- AK440 VE 250 kW AC IE2
frequency controlled
- AK540 VE 315 kW AC IE2
frequency controlled
- AK640 VE 450 kW AC no IE class
frequency controlled
- ISOBUS control

- One performance class

- AK640 L VE 450 kW no IE class
frequency controlled
- ISOBUS Control

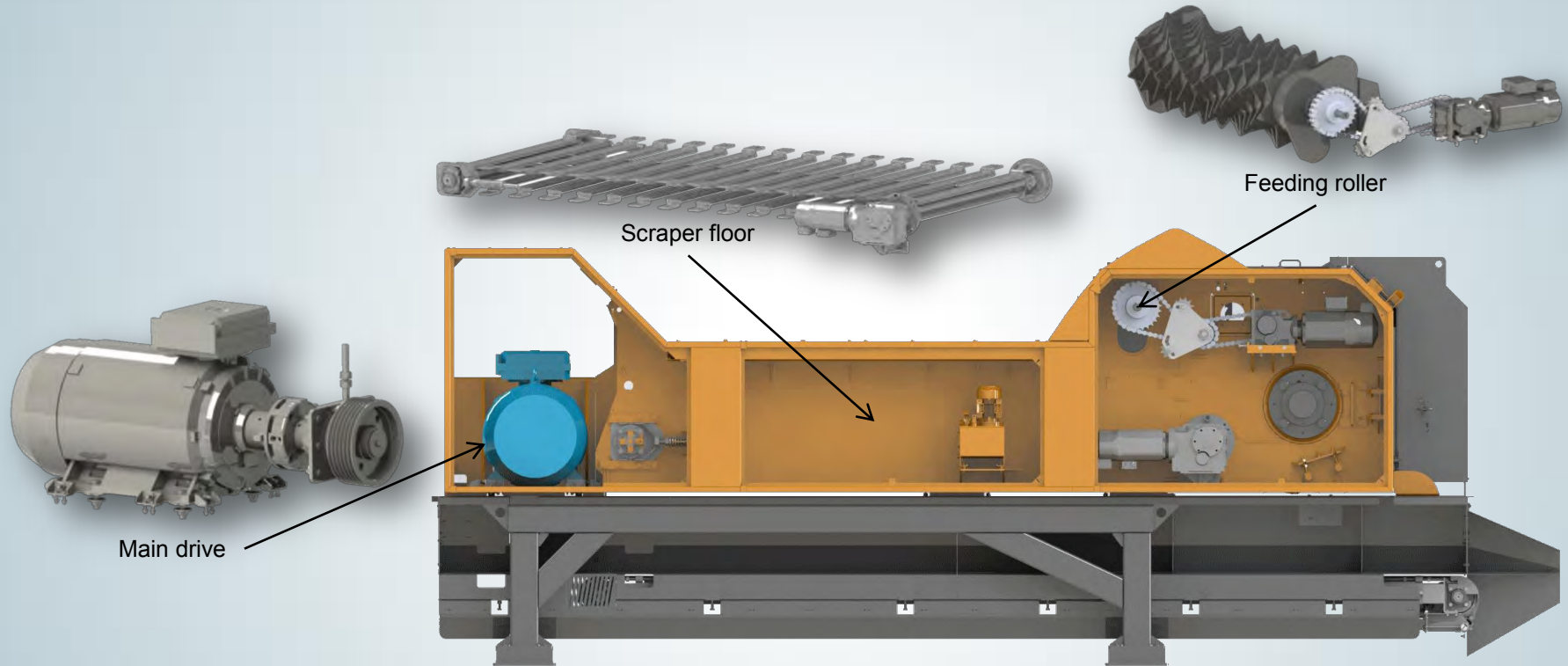
AK VE fully electric

AK 440 VE

AK 540 VE

AK 640 VE

AK 640 L VE



- Frequency controlled drives at the main motor, feeding roller and scarper floor
- Good accessibility to all maintenance points

AK VE fully electric



AK 440 VE

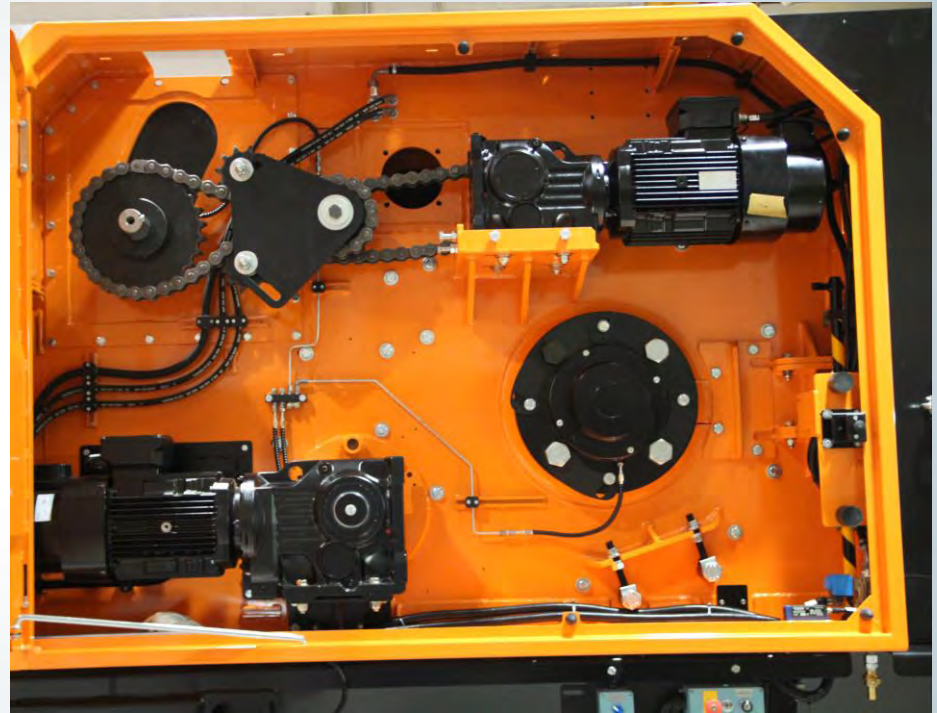
AK 540 VE

AK 640 VE

AK 640 L VE



- Engine compartment main drive



- Drive of scraper floor and feeding roller

AK VE fully electric



Doppstadt

WE CARE

AK 440 VE

AK 540 VE

AK 640 VE

AK 640 L VE



Control panel (illustration similar)



Control panel with swivel arm (illustration similar)

- Control panel with swivel arm at the machine

AK VE fully electric

AK 440 VE

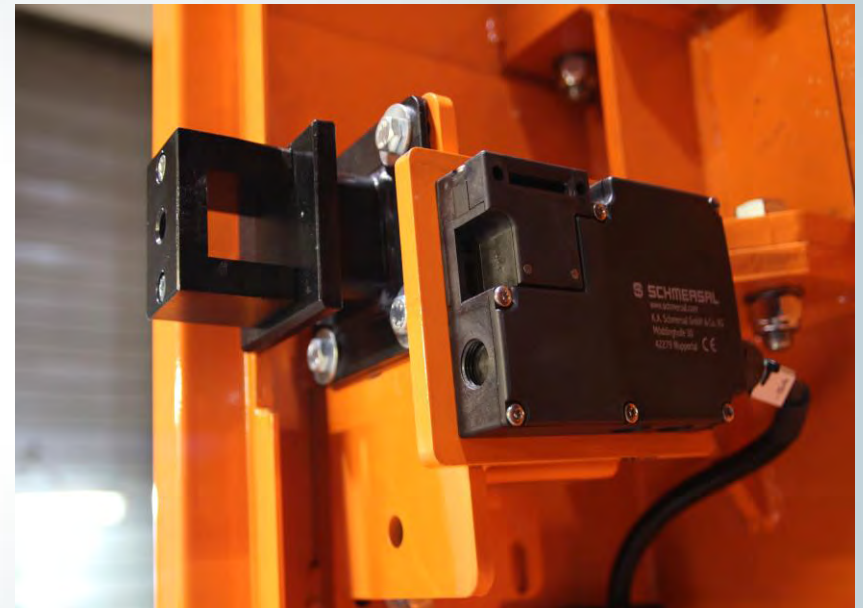
AK 540 VE

AK 640 VE

AK 640 L VE



Security sensor CSS34, without guard locking,
example: door for distribution box



Door contact switch, with guard locking,
example: door for engine compartment, or belt drive

- Protective device according to current state of the art

AK VE fully electric



Doppstadt

WE CARE

AK 640 L VE



AK640L VE

- Same basic equipment like AK 640 VE
- Charging length / scraper floor 5700 mm

AK VE fully electric



Doppstadt

WE CARE

AK 640 L VE



AK 640 L VE

- Illustration v-belt drive
- Charging length / scraper floor 5700 mm

AK VE fully electric



WE CARE

AK 640 L VE

AK VE

Alle beschriebenen Funktionen sind für ein bestimmtes, angegebenes Betriebsgebiet und bestimmte Einsatzfälle bestimmt.

Die Betriebsspannung der Maschine auf dem Betriebsniveau muss mit der angegebenen Nennspannung übereinstimmen.

Die gesamte Leistung der Maschine muss im Betrieb nicht überschritten werden.

The complete battery, to be provided by the customer and must be suitable to bear the loads stated in.

The support legs are to be fixed to the concrete base using suitable load-bearing fasteners.

Terminals must be located in the correct order as shown.

base loads / Auflasten (inkl. Eigenlast)		material (Dr / m ³)	
l/nd	ft	l/nd	ft
P1	25.00	25	1.5
P2	25.00	25	1.5
P3	25.00	25	1.5
P4	25.00	25	1.5
P5	25.00	25	1.5
P6	25.00	25	1.5

AK 640 L VE

95640005000 Ind. A

AKS-6L VE STANDARDMASCHINE

95640005000